

Mains Switching Interface

The new Vigilon Mains Switching Interface units connect directly to the Vigilon system



The interface units are designed to provide heavy duty relay switching for both 24V and 230V applications with contacts rated at 13A. This interface is particularly suitable for switching damper control units and other building controls requiring a high contact rating for mains shutdown.

The new single channel interface is an alternative solution for the existing 34415 Mains Switching Interface. The 4 channel interface which is new to the Vigilon Interface range, replaces the existing 34415*. Both variants offer extended functionality.

*Requires a S4-interface-programmer to make the unit backwards compatible.

Key Features

- Flexible Input / Output
- Controlling outputs and monitoring inputs simultaneously (effectively, 8 channels)
- Configurable delay to filter noise and spurious signals
- Outputs can be individually sectored
- Single channel has 1 output and 4 inputs
- Inputs to be configured as fire, fault, supervisory or confirmation input**

**An input and an output of an interface unit can be paired to operate in a confirmation mode. External equipment can send an acknowledgement upon receiving a signal from the interface unit, this is called 'confirmation input'. External equipment can also receive an acknowledgement from the Interface unit upon sending it a signal, this is called 'confirmation output'.

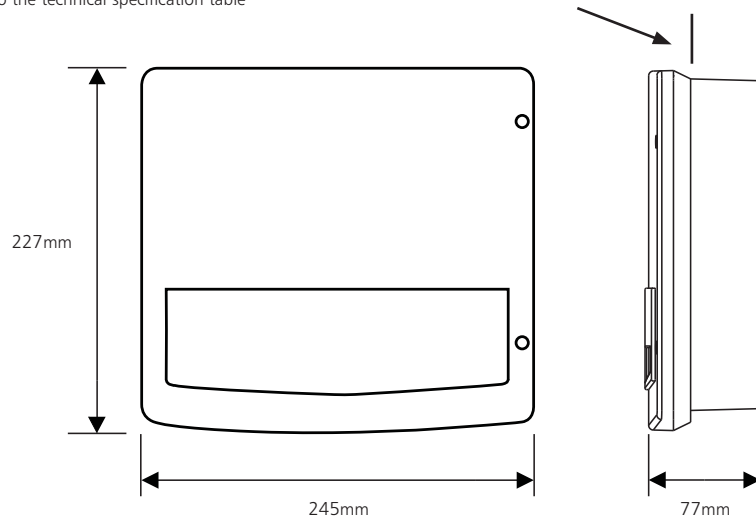
SPECIFICATION

Type	Interface
Standards	Designed to meet EN54:part 17:2005 EN54:part 18:2005
Overall dimensions	227mm x 245mm x 77mm (H x W x D)
Back box (aperture)	233mm x 210mm x 48mm (H x W x D)
Assembled weight (approximate)	1.1Kg
Enclosure	ABS V-O rated
Colour	Back box – Dark Grey Lid – Light Grey
Storage temperature	-20°C to 70°C
Ambient operating temperature	-10°C to 45°C
Relative humidity (non condensing)	Up to 95% Temperature 5°C to 45°C
Ingress protection (estimated)	IP31
Output(s) Relay contact rating	Resistive load: Single pole change over contacts rated 13A 230V ac Inductive load: 1hp @ 240V ac, 1/2hp 120V ac
Input(s)	Input can be normally open or normally closed switch
Modes of operation	Input Output Input and Output Input with confirmation Output Output with confirmation Input
Maximum number per loop	100 units per loop (of which only 8 can be individually programmed)

Dimensions

For back box dimensions please refer to the technical specification table

The Mains Switching Interface unit can be flush mounted to a depth of 48mm maximum



DESCRIPTION

ORDER CODES

Single Channel Mains Switching Interface

S4-34401

4 Channel Mains Switching Interface

S4-34404